

Optimal Width / Optimal Depth

Retina 145 L

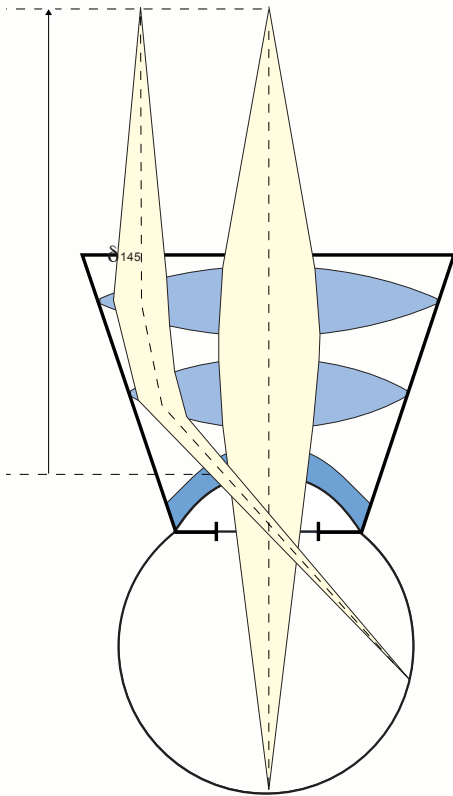
RETINA 145 L EXPANDS YOUR HORIZONS



Contact your
HAAG-STREIT dealer or

 HAAG-STREIT
INTERNATIONAL

Precision by Tradition



• **Image position** with respect to cornea

$$\delta_{145} = +20.9 \text{ mm}$$

• **Magnification** of intermediate image

$$M_{145} = -0.70x$$

corresponding to 86.5 D

• **Field view**

static $\alpha_{145} = 137^\circ$

dynamic $\beta_{145} = 145^\circ$

Retina 145 L

- Wide field – 145°
- Good depth of vision
- HAAG-STREIT optics
- For Diagnostic **and** Laser use
- Stery Cup compatible

The «Retina 145 L» is the latest addition to our range of diagnostic and laser contact lenses. It offers an outstanding quality 145° view – yet simultaneously maintains a good depth of vision.

The «Retina 145 L» may be used with all lasers which operate within the 450 nm to 810 nm bandwidths.

Additionally this lens can be used with «Stery Cup» – our new weapon to hinder the transfer of prions between patients.

If you are not familiar with this range, please ask for a copy of our «Contact Glasses» catalogue.

